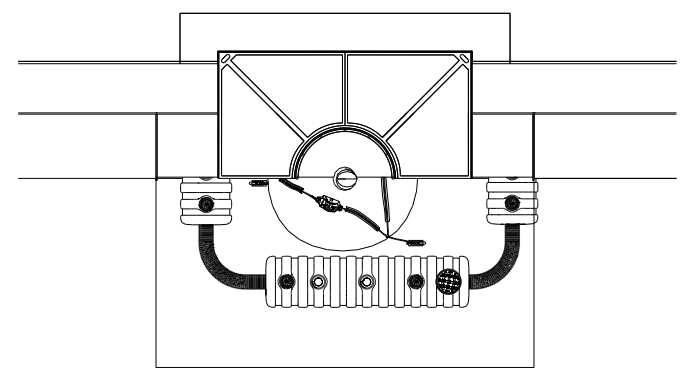
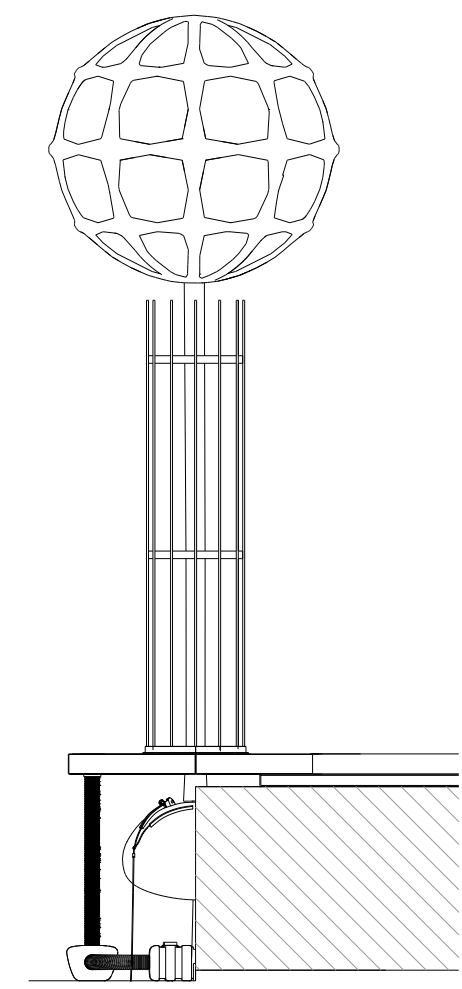


**FRONT VIEW CUTAWAY**  
SCALE 1:25



**PLAN VIEW**  
SCALE 1:25



**SIDE VIEW CUTAWAY**  
SCALE 1:25

gtRootball Fixing Kits							
Code	Description	Tree height / Circumference	Installation tools required				
			Drive Rods	Rod Removers	Load Locking	Ratchet Tensioners	
<b>gtRootball Wired Fixing Kit</b>							
GTRBK1W (170UR2070)	3 x SG Galvanised Anchors, 2m of Galvanised wire, 1 x Galvanised Ratchet Tensioner, 3 x Rubber Rootball Protectors	Up to 2.5m / Up to 12cm	GTHDR01		GTAH1 / GTAH2	GTRT0	
GTRBK5W (170UR2071)	3 x SG Galvanised Anchors, 4m of Galvanised wire, 1 x Galvanised Ratchet Tensioner, 3 x Rubber Rootball Protectors	2.5m - 4.5m / 12cm - 25cm	GTHDR05 / GTPDR5	GTHRR	GTAH1 / GTAH2	GTRT1	
GTRBK10W (170UR2072)	3 x SG Galvanised Anchors, 5m of Galvanised wire, 1 x Galvanised Ratchet Tensioner, 3 x Rubber Rootball Protectors	4.5m - 7.5m / 25cm - 45cm	GTHDR10 / GTPDR10	GTHRR	GTAH2 / GTALJ1 / GTALJ2	GTRT1	
GTRBK20W (170UR2073)	3 x SG Galvanised Anchors, 28m of Galvanised wire, 1 x Galvanised Ratchet Tensioner, 3 x Rubber Rootball Protectors	7.5m - 12m / 45cm - 75cm	GTPDR20	GTHRR	GTALJ1 / GTALJ2	GTRT2	
GTRBK90W (170UR2074)	3 x SG Galvanised Anchors, 12m of Galvanised wire, 1 x Galvanised Ratchet Tensioner, 3 x Rubber Rootball Protectors	12m+ / 75cm+	GTR32P / GTR32SH	GTHRR	GTALJ2	GTRT2	
<b>gtRootball Strap Fixing Kit</b>							
GTRBK1S (170UR2080)	3 x SG Galvanised Anchors, 2m of 25mm Webbing, 1 x Ratchet Tensioner	Up to 2.5m / Up to 12cm	GTHDR1		GTAH1 / GTAH2	GTRT1	
GTRBK5S (170UR2081)	3 x SG Galvanised Anchors, 4m of 25mm Webbing, 1 x Ratchet Tensioner	2.5m - 4.5m / 12cm - 25cm	GTHDR05 / GTPDR5	GTHRR	GTAH1 / GTAH2	GTRT1	
GTRBK10S (170UR2082)	3 x SG Galvanised Anchors, 5m of 25mm Webbing, 1 x Ratchet Tensioner	4.5m - 7.5m / 25cm - 45cm	GTHDR10 / GTPDR10	GTHRR	GTAH2 / GTALJ1 / GTALJ2	GTRT1	
GTRBK20S (170UR2083)	3 x SG Galvanised Anchors, 8m of 35mm Webbing, 1 x Ratchet Tensioner	7.5m - 12m / 45cm - 75cm	GTPDR20	GTHRR	GTALJ1 / GTALJ2	GTRT2	
GTRBK90S (170UR2084)	3 x SG Galvanised Anchors, 12m of 35mm Webbing, 1 x Ratchet Tensioner	12m+ / 75cm+	GTR32P / GTR32SH	GTHRR	GTALJ2	GTRT2	

**NOTES:**

- 1) All DWG's are indicative unless specified.
- 2) Paving and finish levels are indicative and should be advised depending on traffic loading. I.e.
  - Adopted highways (regular heavy goods vehicles) - 365mm build up and finish.
  - Traffic with occasional heavy traffic (goods vehicles) - 340mm build up and finish.
  - Pedestrian projects with occasional traffic (emergency vehicles) - 200mm build up and finish.
  - Car parks/footways (regular car traffic) - 150mm build up and finish.
- 3) 500mm overlap assumes existing ground has 5% cbr or higher.
- 4) DWG's assume standard construction build up unless a site survey report has been supplied to GtSpecifier.

REV.	DATE	BY	DESCRIPTION



CLIENT: XXX

TITLE: XXX

DRAWN BY <b>RW</b>	DATE <b>XX/XX/XX</b>	SCALE <b>1:25</b>	SHEET SIZE <b>A3</b>
DRAWING No. <b>GTS6 - 01</b>			REVISION <b>GTA</b>